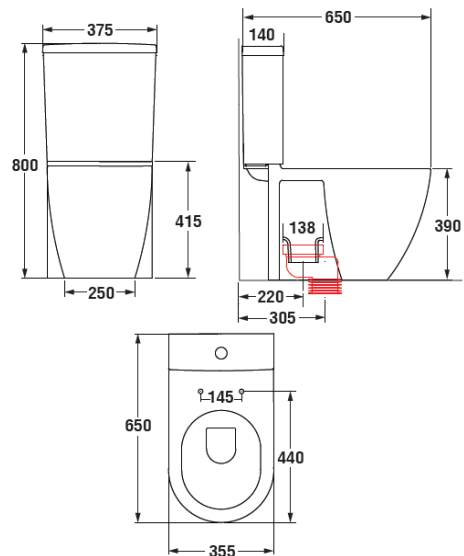




PROJECT		REF		REV	ITEM CODE	
LOCATION		DATE			PAGE	

SANITARY WARE SPECIFICATION SHEET

Item Descriptions	Alessi (Thailand) "Pro Modern" 650mm long v.c. close-coupled integrated s-trap watercloset with soft-closing seat and cover ; 3.1/4.7 LPF in WELS Grade 1 ; Registration No.: WC 19-0023	<p>Illustration/ Drawing</p> <p>WATER SAVING</p> <p>← 650 →</p> <p>Real-5</p> <p>3 4.5</p> <p>Soft closing</p>
Outlet	Bottom Trapway, 220mm (Convertible to 305mm)	
Dimensions	L650 x W360 x H795mm	
Model	AL2788A (Watercloset) EM9079.013 (Seat & cover)	
Material / Color	Vitreous China / White	
Country of Origin	Thailand	
Source	Acme Sanitary Ware Co. Ltd Mr. Eric Wong/ Mr. Don Yuen	
Contact Tel/Fax	(852) 2388-7171 / (852) 2710-8012	
E-mail	acme@acmesanitary.com.hk	
Website	www.acmesanitary.com.hk	



<p>Note:-</p> <ol style="list-style-type: none"> 1) 4.5L flushing for water saving 2) Space saving - 650mm long 3) Real s-trap 3) Dual flush 3/4.5L 5) Soft-closing seat and cover 	<p>220mm connector</p> <p>305mm connector</p>
--	---

* All information of the above is for the reference only. No prior notice is made if any changes.



自願參與用水效益標籤計劃 - 水廁
Voluntary Water Efficiency Labelling Scheme - Water Closets



茲證明
This is to certify that
Acme Sanitary Ware Co., Ltd.

將下列水廁在本計劃內註冊：
has registered the following water closet under this scheme :

牌子 / Brand	: Alessi + Siamp
型號 / Model	: AL2788A(AL-2780 + AL-3708.5) + Optima 49
種類 / Category	: Close-coupled Suite
原產地 / Country or Region Origin	: Thailand (WC Pan and Cistern) Vietnam (Flushing Valve)

在用水效益標籤上展示的標誌 <i>Symbolic Presentation on the Water Efficiency Label</i>	: 滴水點 <i>Water droplet(s)</i>
用水效益級別 <i>Water Efficiency Grade</i>	: 1
全沖水量 <i>Water Flush Volume (Full)</i>	: 4.7 公升/沖廁 <i>litres/flush</i>
低沖水量 <i>Water Flush Volume (Reduced)</i>	: 3.1 公升/沖廁 <i>litres/flush</i>

簽發日期: 23 September 2019
Date of Issue:



水務署署長(張業駒代行)
for Director of Water Supplies

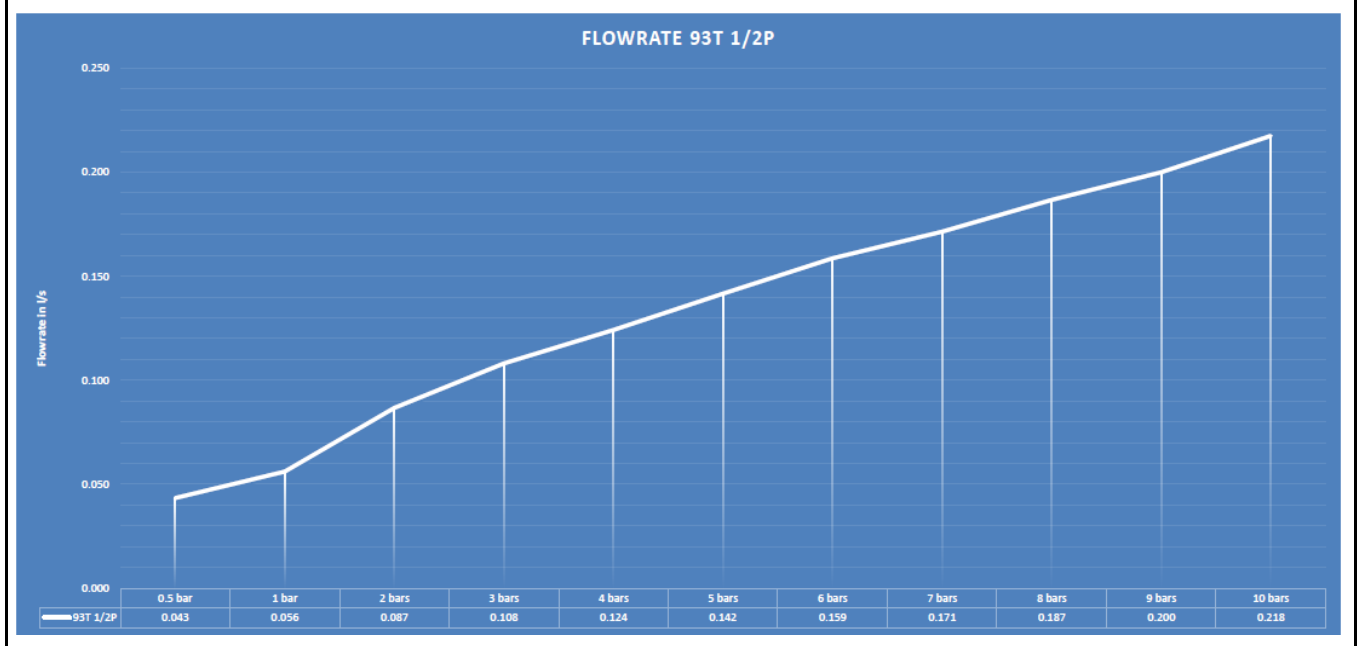
* 上述水廁具額外節水功能，即：重用洗盤水作沖廁用途。
The above water closet is equipped with additional water saving feature, that is: re-use the water collected from wash basin for flushing purpose.



PROJECT		REF		REV	ITEM CODE	
LOCATION		DATE			LEGEND	

SANITARY WARE SPECIFICATION SHEET

<p>Item Descriptions</p> <p>Dimensions</p> <p>Model</p> <p>Material</p> <p>Manufacturer</p> <p>Source</p> <p>Contact Tel/Fax</p> <p>E-mail</p> <p>Website</p>	<p>Siamp (Monaco) 1/2" extractable and extendable bottom inlet valve fitting</p> <p>Refer to drawing</p> <p>93T</p> <p>Plastic</p> <p>Siamp</p> <p>Acme Sanitary Ware Co. Ltd Mr. Eric Wong/ Mr. Don Yuen</p> <p>(852) 2388-7171 / (852) 2710-8012</p> <p>acme@acmesanitary.com.hk</p> <p>www.acmesanitary.com.hk</p>	<p style="text-align: center;">Illustration/ Drawing</p>
--	---	--



Note:

- 1) Extractable
- 2) Extendable
- 3) Torque requirement : 4N/meter

Any excess the torque requirement may cause the damage.

* All information of the above is for the reference only. No prior notice is made if any changes.



Waterworks Department

道七號入境事務大樓 48 樓

Migration Tower, 7 Gloucester Road, Wan Chai, Hong Kong

本署檔號 : (2) in WSD 3321/2020 T/J(950/2020)
Our ref.
來函檔號 :
Your ref.

電話 :
Tel.
傳真 : 2824 0578
Fax.

15 September 2020

Dear Sir/Madam,

**Approval of "SIAMP" Float Operated Valve
(General Acceptance No. C20200807F)**

Your letter dated 22 June 2020 refers.

Having considered the test report ref. 200331ST200057 issued on 26 March 2020 by Fugro Technical Services Limited, this Authority accepts that the fitting described below complies with, and its use when correctly installed does not contravene, the Waterworks Ordinance and Regulations.

Name of Manufacturer: SIAMP Ltd
Country of Origin: Vietnam
Brand: SIAMP
Details of Fitting: 1/2" Plastic float operated valve
Model: 93T
Body Markings: SIAMP
Expiry Date: 16 March 2025



Proviso: As the fitting has not been tested for use in contact with water intended for human consumption, the fitting can only be used in flushing water plumbing system.

This Authority hereby permits the use of the above fitting in flushing water plumbing systems subject to full adherence to Waterworks installation requirements. In particular, you are required to draw your customers' attention to the following requirement-

"The flushing volume of the flushing valve should be adjusted to suit the design of the toilet bowl so that wastes can be cleared effectively by a single flush."

"The fitting should be used within the range of working pressures specified by the manufacturer." AND

"The installed fitting should not result in backflow of water that will contaminate the flushing water supply."

A condition of this acceptance is that the fitting to be installed shall be replicas of the sample as certified by the testing agent mentioned above and without modifications. This acceptance may be withdrawn at any time if the standard of the fitting installed fails to meet that of the approved sample or if the fitting is found to be unsuitable for use in flushing water plumbing systems.

For the use of the fitting in any project, the General Acceptance Number of this letter must be quoted as a means of identification of acceptance of the fitting by this Authority.

Should you have any enquiries, please contact our Engineer Mr. Terry KUNG at tel. no. 3583 4086.

Yours faithfully,



(CHAN Chung-kun)

for Director of Water Supplies

Encl.

c.c. WSD 3321/1/82] - without catalogue
ME/MC] - with soft copy only



PROJECT		REF		REV	ITEM CODE	
LOCATION		DATE			PAGE	

SANITARY WARE SPECIFICATION SHEET

<p>Item Descriptions</p> <p>Dimensions</p> <p>Model</p> <p>Material</p> <p>Manufacturer / Origin</p> <p>Source</p> <p>Contact Tel/Fax</p> <p>E-mail</p> <p>Website</p>	<p>SIAMP (Monaco brand) "OPTIMA" plastic watercloset dual flush drop valve (HKWA Approved)</p> <p>Refer to drawing</p> <p>OPTIMA 49</p> <p>Plastic</p> <p>SIAMP / Vietnam</p> <p>Acme Sanitary Ware Co. Ltd Mr. Eric Wong/ Mr. Don Yuen</p> <p>(852) 2388-7171 / (852) 2710-8012 acme@acmesanitary.com.hk www.acmesanitary.com.hk</p>	<p>Illustration/ Drawing</p>
--	---	------------------------------

Note:

* All information of the above is for reference only. No prior notice is made if any changes.



水務署
Water Supplies Department



總部 Headquarters
香港灣仔告士打道七號
7/F, Immigration Tower, 7 Des Voeux Road East, Hong Kong

本署檔號 : (4) in WSD 3321/19 T/J(424/2019)
Our ref.
來函檔號 :
Your ref.

電話 :
Tel.
傳真 : 2824 0578
Fax.

5 June 2019

Approval of "SIAMP" Flush Valve (General Acceptance No. C20190318F)

Your letters ref. L19-043 and L19-043R1 dated 7 May 2019 and 23 May 2019 respectively refer.

Having considered the test report ref. RGTC016 issued on 2 May 2019 by Ideal Test Consultants Ltd., this Authority accepts that the fitting described below complies with, and its use when correctly installed does not contravene, the Waterworks Ordinance and Regulations.

Name of Manufacturer: Siamp
Country of Origin: Vietnam
Brand: Siamp
Details of Fitting: 2" Plastic dual flush valve
Model: OPTIMA 49
Body Markings: **SIAMP**
Expiry Date: 1 May 2024



Proviso: As the fitting has not been tested for use in contact with water intended for human consumption, the fitting can only be used in flushing water plumbing system.

This Authority hereby permits the use of the above fitting in flushing water plumbing systems subject to full adherence to Waterworks installation requirements. In particular, you are required to draw your customers' attention to the following requirement-

"The flushing volume of the flushing valve should be adjusted to suit the design of the toilet bowl so that wastes can be cleared effectively by a single flush."

"The maximum flushing cistern volume including that of dual flush cisterns for use in conjunction with the fitting shall not exceed 7.5 litres per flush."

"The fitting should be used within the range of working pressures specified by the manufacturer." AND

"The installed fitting should not result in backflow of water that will contaminate the flushing water supply."

A condition of this acceptance is that the fitting to be installed shall be replicas of the sample as certified by the testing agent mentioned above and without modifications. This acceptance may be withdrawn at any time if the standard of the fitting installed fails to meet that of the approved sample or if the fitting is found to be unsuitable for use in flushing water plumbing systems.

For the use of the fitting in any project, the General Acceptance Number of this letter must be quoted as a means of identification of acceptance of the fitting by this Authority.

Should you have any enquiries, please contact our Engineer Mr. Terry KUNG at tel. no. 3583 4086.

Yours faithfully,



(CHAN Chung-kun)

for Director of Water Supplies

Encl.

c.c. WSD 3321/1/82] - without catalogue
ME/MC] - with soft copy only

General Acceptance No. C20190318F